



Date: Mar, 2025

## **Notification of Catalog Information Correction for Clamping Screws and Clamping Bolts**

Dear Valued Customer,

We would like to inform you that the catalog information for clamping screws and clamping bolts will be corrected as follows. Please note that these corrections will not affect the actual product specifications.

### **Corrections:**

1. Deletion of L2 dimension
2. Correction of material specification for screws
3. Correction of the hardness specification for the ball
4. Correction of D and d dimensions

### **Applicable Part Numbers:**

Please refer to the attached document.

### **Correction Date:**

Tuesday, March 11, 2025

If you have any questions, please contact our sales office in charge of your area.  
Thank you for your understanding and cooperation.

Global, including Taiwan and Korea

### **NBK (Nabeya Bi-tech Kaisha)**

1, Toko-Taichi, Seki City, Gifu, 501-3939, Japan

Phone: +81(575)-23-1162

North America

### **NBK America LLC**

307 East Church Road, Suite 7, King of Prussia, PA 19406, USA

Phone: +1 (484) 685-7500

Asia, Oceania

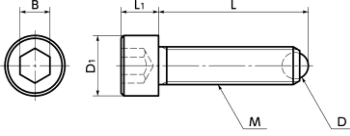
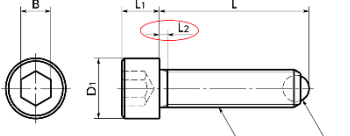
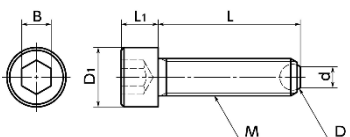
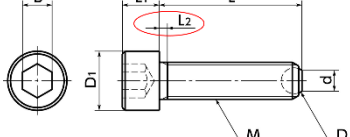
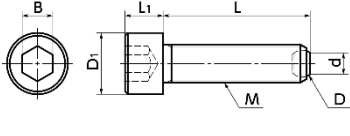
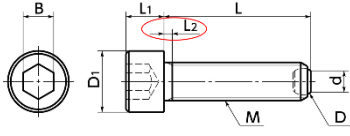
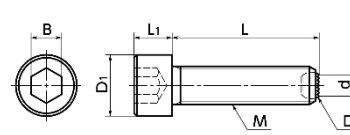
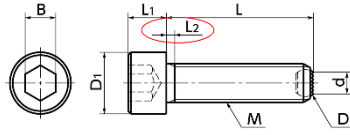
### **NBK ASIA MANAGEMENT PTE. LTD.**

80 Robinson Road #10-01A Singapore 068898

Phone : +81(575)-23-7187

# Attachment [Catalog Information Correction Details]

## 1. Deletion of L2 dimension

Series Part Number	Revised	Previous
[Complete Ball] SCB-R SCBS-R SCBS-CE		
[Flat Ball] SCB-F SCBS-F		
[Flat Ball with Anti-Rotation Mechanism] SCB-FB SCBS-FB		
[Serrated Ball] SCB-GB SCBS-GB		

## 2. Correction of material specification for screws

Series Part Number	Revised	Previous
SCSS-R SCSS-F SCSS-FB SCSS-GB SCSS-CE SCBS-R SCBS-F SCBS-FB SCBS-GB SCBS-CE	<p style="text-align: center;"><b>Equivalent to SUS304</b></p>	<p style="text-align: center;">SUSXM7</p>

## Attachment [Catalog Information Correction Details]

### 3. Correction of the hardness specification for the ball

Series Part Number	Revised	Previous
SCS-R SCS-F-R SCS-F SCS-F-F SCS-GB SCB-R SCB-F SCB-GB	SUJ2 <b>(Hardness 62-67HRC)</b>	SUJ2 (Hardness 55-60HRC)
SCS-FB SCB-FB	SUJ2 <b>(Hardness 62-67HRC)</b> <b>(Surface treatment removed)</b>	SUJ2 (Hardness 55-60HRC) Black trioxide iron film
SCSS-R SCSS-F SCSS-FB SCSS-GB SCBS-R SCBS-F SCBS-FB SCBS-GB	SUS440C <b>(Hardness 59-66HRC)</b>	SUS440C (Hardness 55-60HRC)
SCSS-FB SCBS-FB	SUS440C <b>(Hardness 59-66HRC)</b> <b>(Color removed)</b>	SUS440C (Hardness 55-60HRC) Tempering color (Fox color)
SCS-N	Polyacetal <b>(Hardness removed)</b>	Polyacetal (Hardness 94HRM)
SCS-BR	Brass <b>(Hardness removed)</b>	Brass (Hardness 75-125HV)

## Attachment [Catalog Information Correction Details]

### 4. Correction of D and d dimensions

Series Part Number	Part Number	Revised	Previous
		D	D
SCS-R	SCS-M3-5-R	No Correction	1.5
	SCS-M3-10-R	No Correction	1.5
	SCS-M4-6-R	No Correction	2.5
	SCS-M4-10-R	No Correction	2.5
	SCS-M4-16-R	No Correction	2.5
	SCS-M5-8-R	No Correction	3
	SCS-M5-12-R	No Correction	3
	SCS-M5-20-R	No Correction	3
	SCS-M6-10-R	No Correction	4
	SCS-M6-16-R	No Correction	4
	SCS-M6-20-R	No Correction	4
	SCS-M6-25-R	No Correction	4
	SCS-M8-10-R	<b>5.56</b>	5.5
	SCS-M8-12-R	<b>5.56</b>	5.5
	SCS-M8-20-R	<b>5.56</b>	5.5
	SCS-M8-25-R	<b>5.56</b>	5.5
	SCS-M8-30-R	<b>5.56</b>	5.5
	SCS-M10-12-R	No Correction	7
	SCS-M10-16-R	No Correction	7
	SCS-M10-20-R	No Correction	7
	SCS-M10-25-R	No Correction	7
	SCS-M10-35-R	No Correction	7
	SCS-M12-16-R	No Correction	8.5
	SCS-M12-20-R	No Correction	8.5
	SCS-M12-30-R	No Correction	8.5
	SCS-M12-40-R	No Correction	8.5
	SCS-M16-20-R	No Correction	12
	SCS-M16-25-R	No Correction	12
	SCS-M16-35-R	No Correction	12
	SCS-M16-50-R	No Correction	12

## Attachment [Catalog Information Correction Details]

Series Part Number	Part Number	Revised	Previous
		D	D
SCS-F-R	SCS-M6F-10-R	No Correction	4
	SCS-M6F-16-R	No Correction	4
	SCS-M6F-20-R	No Correction	4
	SCS-M6F-25-R	No Correction	4
	SCS-M8F-12-R	<b>5.56</b>	5.5
	SCS-M8F-20-R	<b>5.56</b>	5.5
	SCS-M8F-25-R	<b>5.56</b>	5.5
	SCS-M8F-30-R	<b>5.56</b>	5.5
	SCS-M10F-16-R	No Correction	7
	SCS-M10F-20-R	No Correction	7
	SCS-M10F-25-R	No Correction	7
	SCS-M10F-35-R	No Correction	7
	SCS-M12F-20-R	No Correction	8.5
	SCS-M12F-30-R	No Correction	8.5
	SCS-M12F-40-R	No Correction	8.5

## Attachment [Catalog Information Correction Details]

Series Part Number	Part Number	Revised		Previous	
		D	d (Reference Value)	D	d
SCS-F	SCS-M4-6-F	No Correction	<b>1.9</b>	2.5	2
	SCS-M4-10-F	No Correction	<b>1.9</b>	2.5	2
	SCS-M4-16-F	No Correction	<b>1.9</b>	2.5	2
	SCS-M5-8-F	No Correction	<b>2.4</b>	3	2.5
	SCS-M5-12-F	No Correction	<b>2.4</b>	3	2.5
	SCS-M5-20-F	No Correction	<b>2.4</b>	3	2.5
	SCS-M6-10-F	No Correction	<b>3.1</b>	4	3.2
	SCS-M6-16-F	No Correction	<b>3.1</b>	4	3.2
	SCS-M6-20-F	No Correction	<b>3.1</b>	4	3.2
	SCS-M6-25-F	No Correction	<b>3.1</b>	4	3.2
	SCS-M8-10-F	<b>5.56</b>	<b>4.4</b>	5.5	4.5
	SCS-M8-12-F	<b>5.56</b>	<b>4.4</b>	5.5	4.5
	SCS-M8-20-F	<b>5.56</b>	<b>4.4</b>	5.5	4.5
	SCS-M8-25-F	<b>5.56</b>	<b>4.4</b>	5.5	4.5
	SCS-M8-30-F	<b>5.56</b>	<b>4.4</b>	5.5	4.5
	SCS-M10-12-F	No Correction	<b>5.9</b>	7	6
	SCS-M10-16-F	No Correction	<b>5.9</b>	7	6
	SCS-M10-20-F	No Correction	<b>5.9</b>	7	6
	SCS-M10-25-F	No Correction	<b>5.9</b>	7	6
	SCS-M10-35-F	No Correction	<b>5.9</b>	7	6
	SCS-M12-16-F	No Correction	<b>7.1</b>	8.5	7.2
	SCS-M12-20-F	No Correction	<b>7.1</b>	8.5	7.2
	SCS-M12-30-F	No Correction	<b>7.1</b>	8.5	7.2
	SCS-M12-40-F	No Correction	<b>7.1</b>	8.5	7.2
	SCS-M16-20-F	No Correction	<b>10.4</b>	12	10.7
	SCS-M16-25-F	No Correction	<b>10.4</b>	12	10.7
	SCS-M16-35-F	No Correction	<b>10.4</b>	12	10.7
	SCS-M16-50-F	No Correction	<b>10.4</b>	12	10.7

## Attachment [Catalog Information Correction Details]

Series Part Number	Part Number	Revised		Previous	
		D	D (Reference Value)	D	d
SCS-F-F	SCS-M6F-10-F	No Correction	<b>3.1</b>	4	3.2
	SCS-M6F-16-F	No Correction	<b>3.1</b>	4	3.2
	SCS-M6F-20-F	No Correction	<b>3.1</b>	4	3.2
	SCS-M6F-25-F	No Correction	<b>3.1</b>	4	3.2
	SCS-M8F-12-F	<b>5.56</b>	<b>4.4</b>	5.5	4.5
	SCS-M8F-20-F	<b>5.56</b>	<b>4.4</b>	5.5	4.5
	SCS-M8F-25-F	<b>5.56</b>	<b>4.4</b>	5.5	4.5
	SCS-M8F-30-F	<b>5.56</b>	<b>4.4</b>	5.5	4.5
	SCS-M10F-16-F	No Correction	<b>5.9</b>	7	6
	SCS-M10F-20-F	No Correction	<b>5.9</b>	7	6
	SCS-M10F-25-F	No Correction	<b>5.9</b>	7	6
	SCS-M10F-35-F	No Correction	<b>5.9</b>	7	6
	SCS-M12F-20-F	No Correction	<b>7.1</b>	8.5	7.2
	SCS-M12F-30-F	No Correction	<b>7.1</b>	8.5	7.2
	SCS-M12F-40-F	No Correction	<b>7.1</b>	8.5	7.2

## Attachment [Catalog Information Correction Details]

Series Part Number	Part Number	Revised		Previous	
		D	d (Reference Value)	D	d
SCS-FB	SCS-M4-6-FB	No Correction	<b>1.9</b>	2.5	2
	SCS-M4-10-FB	No Correction	<b>1.9</b>	2.5	2
	SCS-M4-16-FB	No Correction	<b>1.9</b>	2.5	2
	SCS-M5-8-FB	No Correction	<b>2.4</b>	3	2.5
	SCS-M5-12-FB	No Correction	<b>2.4</b>	3	2.5
	SCS-M5-20-FB	No Correction	<b>2.4</b>	3	2.5
	SCS-M6-10-FB	No Correction	<b>3.1</b>	4	3.2
	SCS-M6-16-FB	No Correction	<b>3.1</b>	4	3.2
	SCS-M6-20-FB	No Correction	<b>3.1</b>	4	3.2
	SCS-M6-25-FB	No Correction	<b>3.1</b>	4	3.2
	SCS-M8-10-FB	<b>5.56</b>	<b>4.6</b>	5.5	4.5
	SCS-M8-12-FB	<b>5.56</b>	<b>4.6</b>	5.5	4.5
	SCS-M8-20-FB	<b>5.56</b>	<b>4.6</b>	5.5	4.5
	SCS-M8-25-FB	<b>5.56</b>	<b>4.6</b>	5.5	4.5
	SCS-M8-30-FB	<b>5.56</b>	<b>4.6</b>	5.5	4.5
	SCS-M10-12-FB	<b>7.14</b>	<b>6.1</b>	7	6
	SCS-M10-16-FB	<b>7.14</b>	<b>6.1</b>	7	6
	SCS-M10-20-FB	<b>7.14</b>	<b>6.1</b>	7	6
	SCS-M10-25-FB	<b>7.14</b>	<b>6.1</b>	7	6
	SCS-M10-35-FB	<b>7.14</b>	<b>6.1</b>	7	6
	SCS-M12-16-FB	No Correction	<b>7.3</b>	8.5	7.2
	SCS-M12-20-FB	No Correction	<b>7.3</b>	8.5	7.2
	SCS-M12-30-FB	No Correction	<b>7.3</b>	8.5	7.2
	SCS-M12-40-FB	No Correction	<b>7.3</b>	8.5	7.2
	SCS-M16-20-FB	No Correction	No Correction	12	10.7
	SCS-M16-25-FB	No Correction	No Correction	12	10.7
	SCS-M16-35-FB	No Correction	No Correction	12	10.7
	SCS-M16-50-FB	No Correction	No Correction	12	10.7



## Attachment [Catalog Information Correction Details]

Series Part Number	Part Number	Revised		Previous	
		D	d (Reference Value)	D	d
SCS-GB	SCS-M4-6-GB	No Correction	<b>1.9</b>	2.5	2
	SCS-M4-10-GB	No Correction	<b>1.9</b>	2.5	2
	SCS-M4-16-GB	No Correction	<b>1.9</b>	2.5	2
	SCS-M5-8-GB	No Correction	<b>2.4</b>	3	2.5
	SCS-M5-12-GB	No Correction	<b>2.4</b>	3	2.5
	SCS-M5-20-GB	No Correction	<b>2.4</b>	3	2.5
	SCS-M6-10-GB	No Correction	<b>3.1</b>	4	3.2
	SCS-M6-16-GB	No Correction	<b>3.1</b>	4	3.2
	SCS-M6-20-GB	No Correction	<b>3.1</b>	4	3.2
	SCS-M6-25-GB	No Correction	<b>3.1</b>	4	3.2
	SCS-M8-10-GB	<b>5.56</b>	<b>4.6</b>	5.5	4.5
	SCS-M8-12-GB	<b>5.56</b>	<b>4.6</b>	5.5	4.5
	SCS-M8-20-GB	<b>5.56</b>	<b>4.6</b>	5.5	4.5
	SCS-M8-25-GB	<b>5.56</b>	<b>4.6</b>	5.5	4.5
	SCS-M8-30-GB	<b>5.56</b>	<b>4.6</b>	5.5	4.5
	SCS-M10-12-GB	<b>7.14</b>	<b>6.1</b>	7	6
	SCS-M10-16-GB	<b>7.14</b>	<b>6.1</b>	7	6
	SCS-M10-20-GB	<b>7.14</b>	<b>6.1</b>	7	6
	SCS-M10-25-GB	<b>7.14</b>	<b>6.1</b>	7	6
	SCS-M10-35-GB	<b>7.14</b>	<b>6.1</b>	7	6
	SCS-M12-16-GB	No Correction	<b>7.3</b>	8.5	7.2
	SCS-M12-20-GB	No Correction	<b>7.3</b>	8.5	7.2
	SCS-M12-30-GB	No Correction	<b>7.3</b>	8.5	7.2
	SCS-M12-40-GB	No Correction	<b>7.3</b>	8.5	7.2
	SCS-M16-20-GB	No Correction	No Correction	12	10.7
	SCS-M16-25-GB	No Correction	No Correction	12	10.7
	SCS-M16-35-GB	No Correction	No Correction	12	10.7
	SCS-M16-50-GB	No Correction	No Correction	12	10.7

## Attachment [Catalog Information Correction Details]

Series Part Number	Part Number	Revised	Previous
		D	D
SCS-N	SCS-M3-5-N	No Correction	1.5
	SCS-M3-10-N	No Correction	1.5
	SCS-M4-6-N	<b>2.38</b>	2.5
	SCS-M4-10-N	<b>2.38</b>	2.5
	SCS-M4-16-N	<b>2.38</b>	2.5
	SCS-M5-8-N	<b>3.18</b>	3
	SCS-M5-12-N	<b>3.18</b>	3
	SCS-M5-20-N	<b>3.18</b>	3
	SCS-M6-10-N	<b>3.97</b>	4
	SCS-M6-16-N	<b>3.97</b>	4
	SCS-M6-20-N	<b>3.97</b>	4
	SCS-M6-25-N	<b>3.97</b>	4

Series Part Number	Part Number	Revised	Previous
		D	D
SCS-BR	SCS-M4-6-BR	<b>2</b>	2.5
	SCS-M4-10-BR	<b>2</b>	2.5
	SCS-M4-16-BR	<b>2</b>	2.5
	SCS-M5-8-BR	No Correction	3
	SCS-M5-12-BR	No Correction	3
	SCS-M5-20-BR	No Correction	3
	SCS-M6-10-BR	No Correction	4
	SCS-M6-16-BR	No Correction	4
	SCS-M6-20-BR	No Correction	4
	SCS-M6-25-BR	No Correction	4

## Attachment [Catalog Information Correction Details]

Series Part Number	Part Number	Revised	Previous
		D	D
SCSS-R	SCSS-M3-5-R	No Correction	1.5
	SCSS-M3-10-R	No Correction	1.5
	SCSS-M4-6-R	No Correction	2.5
	SCSS-M4-10-R	No Correction	2.5
	SCSS-M4-16-R	No Correction	2.5
	SCSS-M5-8-R	No Correction	3
	SCSS-M5-12-R	No Correction	3
	SCSS-M5-20-R	No Correction	3
	SCSS-M6-10-R	No Correction	4
	SCSS-M6-16-R	No Correction	4
	SCSS-M6-20-R	No Correction	4
	SCSS-M6-25-R	No Correction	4
	SCSS-M8-10-R	<b>5.56</b>	5.5
	SCSS-M8-12-R	<b>5.56</b>	5.5
	SCSS-M8-20-R	<b>5.56</b>	5.5
	SCSS-M8-25-R	<b>5.56</b>	5.5
	SCSS-M8-30-R	<b>5.56</b>	5.5
	SCSS-M10-12-R	<b>7.14</b>	7
	SCSS-M10-16-R	<b>7.14</b>	7
	SCSS-M10-20-R	<b>7.14</b>	7
	SCSS-M10-25-R	<b>7.14</b>	7
	SCSS-M10-35-R	<b>7.14</b>	7
	SCSS-M12-16-R	<b>7.94</b>	8.5
	SCSS-M12-20-R	<b>7.94</b>	8.5
	SCSS-M12-30-R	<b>7.94</b>	8.5
	SCSS-M12-40-R	<b>7.94</b>	8.5
	SCSS-M16-20-R	<b>11.91</b>	12
	SCSS-M16-25-R	<b>11.91</b>	12
	SCSS-M16-35-R	<b>11.91</b>	12
	SCSS-M16-50-R	<b>11.91</b>	12

## Attachment [Catalog Information Correction Details]

Series Part Number	Part Number	Revised		Previous	
		D	d (Reference Value)	D	d
SCSS-F	SCSS-M4-6-F	No Correction	<b>1.9</b>	2.5	2
	SCSS-M4-10-F	No Correction	<b>1.9</b>	2.5	2
	SCSS-M4-16-F	No Correction	<b>1.9</b>	2.5	2
	SCSS-M5-8-F	No Correction	<b>2.4</b>	3	2.5
	SCSS-M5-12-F	No Correction	<b>2.4</b>	3	2.5
	SCSS-M5-20-F	No Correction	<b>2.4</b>	3	2.5
	SCSS-M6-10-F	No Correction	<b>3.1</b>	4	3.2
	SCSS-M6-16-F	No Correction	<b>3.1</b>	4	3.2
	SCSS-M6-20-F	No Correction	<b>3.1</b>	4	3.2
	SCSS-M6-25-F	No Correction	<b>3.1</b>	4	3.2
	SCSS-M8-10-F	<b>5.56</b>	<b>4.4</b>	5.5	4.5
	SCSS-M8-12-F	<b>5.56</b>	<b>4.4</b>	5.5	4.5
	SCSS-M8-20-F	<b>5.56</b>	<b>4.4</b>	5.5	4.5
	SCSS-M8-25-F	<b>5.56</b>	<b>4.4</b>	5.5	4.5
	SCSS-M8-30-F	<b>5.56</b>	<b>4.4</b>	5.5	4.5
	SCSS-M10-12-F	<b>7.14</b>	<b>5.9</b>	7	6
	SCSS-M10-16-F	<b>7.14</b>	<b>5.9</b>	7	6
	SCSS-M10-20-F	<b>7.14</b>	<b>5.9</b>	7	6
	SCSS-M10-25-F	<b>7.14</b>	<b>5.9</b>	7	6
	SCSS-M10-35-F	<b>7.14</b>	<b>5.9</b>	7	6
	SCSS-M12-16-F	<b>7.94</b>	<b>6.7</b>	8.5	7.2
	SCSS-M12-20-F	<b>7.94</b>	<b>6.7</b>	8.5	7.2
	SCSS-M12-30-F	<b>7.94</b>	<b>6.7</b>	8.5	7.2
	SCSS-M12-40-F	<b>7.94</b>	<b>6.7</b>	8.5	7.2
	SCSS-M16-20-F	<b>11.91</b>	<b>10.4</b>	12	10.7
	SCSS-M16-25-F	<b>11.91</b>	<b>10.4</b>	12	10.7
	SCSS-M16-35-F	<b>11.91</b>	<b>10.4</b>	12	10.7
	SCSS-M16-50-F	<b>11.91</b>	<b>10.4</b>	12	10.7

## Attachment [Catalog Information Correction Details]

Series Part Number	Part Number	Revised		Previous	
		D	d (Reference Value)	D	d
SCSS-FB	SCSS-M4-6-FB	No Correction	<b>1.9</b>	2.5	2
	SCSS-M4-10-FB	No Correction	<b>1.9</b>	2.5	2
	SCSS-M4-16-FB	No Correction	<b>1.9</b>	2.5	2
	SCSS-M5-8-FB	No Correction	<b>2.4</b>	3	2.5
	SCSS-M5-12-FB	No Correction	<b>2.4</b>	3	2.5
	SCSS-M5-20-FB	No Correction	<b>2.4</b>	3	2.5
	SCSS-M6-10-FB	No Correction	<b>3.1</b>	4	3.2
	SCSS-M6-16-FB	No Correction	<b>3.1</b>	4	3.2
	SCSS-M6-20-FB	No Correction	<b>3.1</b>	4	3.2
	SCSS-M6-25-FB	No Correction	<b>3.1</b>	4	3.2
	SCSS-M8-10-FB	<b>5.56</b>	<b>4.6</b>	5.5	4.5
	SCSS-M8-12-FB	<b>5.56</b>	<b>4.6</b>	5.5	4.5
	SCSS-M8-20-FB	<b>5.56</b>	<b>4.6</b>	5.5	4.5
	SCSS-M8-25-FB	<b>5.56</b>	<b>4.6</b>	5.5	4.5
	SCSS-M8-30-FB	<b>5.56</b>	<b>4.6</b>	5.5	4.5
	SCSS-M10-12-FB	<b>7.14</b>	<b>6.1</b>	7	6
	SCSS-M10-16-FB	<b>7.14</b>	<b>6.1</b>	7	6
	SCSS-M10-20-FB	<b>7.14</b>	<b>6.1</b>	7	6
	SCSS-M10-25-FB	<b>7.14</b>	<b>6.1</b>	7	6
	SCSS-M10-35-FB	<b>7.14</b>	<b>6.1</b>	7	6
	SCSS-M12-16-FB	<b>7.94</b>	<b>7.3</b>	8.5	7.2
	SCSS-M12-20-FB	<b>7.94</b>	<b>7.3</b>	8.5	7.2
	SCSS-M12-30-FB	<b>7.94</b>	<b>7.3</b>	8.5	7.2
	SCSS-M12-40-FB	<b>7.94</b>	<b>7.3</b>	8.5	7.2
	SCSS-M16-20-FB	<b>11.91</b>	No Correction	12	10.7
	SCSS-M16-25-FB	<b>11.91</b>	No Correction	12	10.7
	SCSS-M16-35-FB	<b>11.91</b>	No Correction	12	10.7
	SCSS-M16-50-FB	<b>11.91</b>	No Correction	12	10.7

## Attachment [Catalog Information Correction Details]

Series Part Number	Part Number	Revised		Previous	
		D	d (Reference Value)	D	d
SCSS-GB	SCSS-M4-6-GB	No Correction	<b>1.9</b>	2.5	2
	SCSS-M4-10-GB	No Correction	<b>1.9</b>	2.5	2
	SCSS-M4-16-GB	No Correction	<b>1.9</b>	2.5	2
	SCSS-M5-8-GB	No Correction	<b>2.4</b>	3	2.5
	SCSS-M5-12-GB	No Correction	<b>2.4</b>	3	2.5
	SCSS-M5-20-GB	No Correction	<b>2.4</b>	3	2.5
	SCSS-M6-10-GB	No Correction	<b>3.1</b>	4	3.2
	SCSS-M6-16-GB	No Correction	<b>3.1</b>	4	3.2
	SCSS-M6-20-GB	No Correction	<b>3.1</b>	4	3.2
	SCSS-M6-25-GB	No Correction	<b>3.1</b>	4	3.2
	SCSS-M8-10-GB	<b>5.56</b>	<b>4.6</b>	5.5	4.5
	SCSS-M8-12-GB	<b>5.56</b>	<b>4.6</b>	5.5	4.5
	SCSS-M8-20-GB	<b>5.56</b>	<b>4.6</b>	5.5	4.5
	SCSS-M8-25-GB	<b>5.56</b>	<b>4.6</b>	5.5	4.5
	SCSS-M8-30-GB	<b>5.56</b>	<b>4.6</b>	5.5	4.5
	SCSS-M10-12-GB	<b>7.14</b>	<b>6.1</b>	7	6
	SCSS-M10-16-GB	<b>7.14</b>	<b>6.1</b>	7	6
	SCSS-M10-20-GB	<b>7.14</b>	<b>6.1</b>	7	6
	SCSS-M10-25-GB	<b>7.14</b>	<b>6.1</b>	7	6
	SCSS-M10-35-GB	<b>7.14</b>	<b>6.1</b>	7	6
	SCSS-M12-16-GB	<b>7.94</b>	<b>7.3</b>	8.5	7.2
	SCSS-M12-20-GB	<b>7.94</b>	<b>7.3</b>	8.5	7.2
	SCSS-M12-30-GB	<b>7.94</b>	<b>7.3</b>	8.5	7.2
	SCSS-M12-40-GB	<b>7.94</b>	<b>7.3</b>	8.5	7.2
	SCSS-M16-20-GB	<b>11.91</b>	No Correction	12	10.7
	SCSS-M16-25-GB	<b>11.91</b>	No Correction	12	10.7
	SCSS-M16-35-GB	<b>11.91</b>	No Correction	12	10.7
	SCSS-M16-50-GB	<b>11.91</b>	No Correction	12	10.7

## Attachment [Catalog Information Correction Details]

Series Part Number	Part Number	Revised	Previous
		D	D
SCSS-CE	SCSS-M4-6-CE	<b>2.38</b>	2.5
	SCSS-M4-10-CE	<b>2.38</b>	2.5
	SCSS-M4-16-CE	<b>2.38</b>	2.5
	SCSS-M5-8-CE	<b>3.18</b>	3
	SCSS-M5-12-CE	<b>3.18</b>	3
	SCSS-M5-20-CE	<b>3.18</b>	3
	SCSS-M6-10-CE	<b>3.97</b>	4
	SCSS-M6-16-CE	<b>3.97</b>	4
	SCSS-M6-25-CE	<b>3.97</b>	4
	SCSS-M8-12-CE	<b>5.56</b>	5.5
	SCSS-M8-20-CE	<b>5.56</b>	5.5
	SCSS-M8-30-CE	<b>5.56</b>	5.5
	SCSS-M10-16-CE	<b>7.14</b>	7
	SCSS-M10-25-CE	<b>7.14</b>	7
	SCSS-M10-35-CE	<b>7.14</b>	7
	SCSS-M12-20-CE	<b>7.94</b>	8.5
	SCSS-M12-30-CE	<b>7.94</b>	8.5
	SCSS-M12-40-CE	<b>7.94</b>	8.5

## Attachment [Catalog Information Correction Details]

Series Part Number	Part Number	Revised	Previous
		D	D
SCB-R	SCB-M4-10-R	No Correction	2.5
	SCB-M4-12-R	No Correction	2.5
	SCB-M4-16-R	No Correction	2.5
	SCB-M4-20-R	No Correction	2.5
	SCB-M4-25-R	No Correction	2.5
	SCB-M5-12-R	No Correction	3
	SCB-M5-16-R	No Correction	3
	SCB-M5-20-R	No Correction	3
	SCB-M5-25-R	No Correction	3
	SCB-M5-30-R	No Correction	3
	SCB-M6-16-R	No Correction	4
	SCB-M6-20-R	No Correction	4
	SCB-M6-25-R	No Correction	4
	SCB-M6-30-R	No Correction	4
	SCB-M6-40-R	No Correction	4
	SCB-M8-20-R	<b>5.56</b>	5.5
	SCB-M8-30-R	<b>5.56</b>	5.5
	SCB-M8-35-R	<b>5.56</b>	5.5
	SCB-M8-40-R	<b>5.56</b>	5.5
	SCB-M8-50-R	<b>5.56</b>	5.5
	SCB-M10-25-R	No Correction	7
	SCB-M10-30-R	No Correction	7
	SCB-M10-40-R	No Correction	7
	SCB-M10-50-R	No Correction	7
	SCB-M10-60-R	No Correction	7
	SCB-M12-30-R	No Correction	8.5
	SCB-M12-50-R	No Correction	8.5
	SCB-M12-80-R	No Correction	8.5
	SCB-M16-40-R	No Correction	12
	SCB-M16-60-R	No Correction	12
SCB-M16-80-R	No Correction	12	



## Attachment [Catalog Information Correction Details]

Series Part Number	Part Number	Revised		Previous	
		D	d (Reference Value)	D	d
SCB-F	SCB-M4-10-F	No Correction	<b>1.9</b>	2.5	2
	SCB-M4-12-F	No Correction	<b>1.9</b>	2.5	2
	SCB-M4-16-F	No Correction	<b>1.9</b>	2.5	2
	SCB-M4-20-F	No Correction	<b>1.9</b>	2.5	2
	SCB-M4-25-F	No Correction	<b>1.9</b>	2.5	2
	SCB-M5-12-F	No Correction	<b>2.4</b>	3	2.5
	SCB-M5-16-F	No Correction	<b>2.4</b>	3	2.5
	SCB-M5-20-F	No Correction	<b>2.4</b>	3	2.5
	SCB-M5-25-F	No Correction	<b>2.4</b>	3	2.5
	SCB-M5-30-F	No Correction	<b>2.4</b>	3	2.5
	SCB-M6-16-F	No Correction	<b>3.1</b>	4	3.2
	SCB-M6-20-F	No Correction	<b>3.1</b>	4	3.2
	SCB-M6-25-F	No Correction	<b>3.1</b>	4	3.2
	SCB-M6-30-F	No Correction	<b>3.1</b>	4	3.2
	SCB-M6-40-F	No Correction	<b>3.1</b>	4	3.2
	SCB-M8-20-F	<b>5.56</b>	<b>4.4</b>	5.5	4.5
	SCB-M8-30-F	<b>5.56</b>	<b>4.4</b>	5.5	4.5
	SCB-M8-35-F	<b>5.56</b>	<b>4.4</b>	5.5	4.5
	SCB-M8-40-F	<b>5.56</b>	<b>4.4</b>	5.5	4.5
	SCB-M8-50-F	<b>5.56</b>	<b>4.4</b>	5.5	4.5
	SCB-M10-25-F	No Correction	<b>5.9</b>	7	6
	SCB-M10-30-F	No Correction	<b>5.9</b>	7	6
	SCB-M10-40-F	No Correction	<b>5.9</b>	7	6
	SCB-M10-50-F	No Correction	<b>5.9</b>	7	6
	SCB-M10-60-F	No Correction	<b>5.9</b>	7	6
	SCB-M12-30-F	No Correction	<b>7.1</b>	8.5	7.2
	SCB-M12-50-F	No Correction	<b>7.1</b>	8.5	7.2
	SCB-M12-80-F	No Correction	<b>7.1</b>	8.5	7.2
	SCB-M16-40-F	No Correction	<b>10.4</b>	12	10.7
	SCB-M16-60-F	No Correction	<b>10.4</b>	12	10.7
	SCB-M16-80-F	No Correction	<b>10.4</b>	12	10.7

## Attachment [Catalog Information Correction Details]

Series Part Number	Part Number	Revised		Previous	
		D	d (Reference Value)	D	d
SCB-FB	SCB-M4-10-FB	No Correction	<b>1.9</b>	2.5	2
	SCB-M4-12-FB	No Correction	<b>1.9</b>	2.5	2
	SCB-M4-16-FB	No Correction	<b>1.9</b>	2.5	2
	SCB-M4-20-FB	No Correction	<b>1.9</b>	2.5	2
	SCB-M4-25-FB	No Correction	<b>1.9</b>	2.5	2
	SCB-M5-12-FB	No Correction	<b>2.4</b>	3	2.5
	SCB-M5-16-FB	No Correction	<b>2.4</b>	3	2.5
	SCB-M5-20-FB	No Correction	<b>2.4</b>	3	2.5
	SCB-M5-25-FB	No Correction	<b>2.4</b>	3	2.5
	SCB-M5-30-FB	No Correction	<b>2.4</b>	3	2.5
	SCB-M6-16-FB	No Correction	<b>3.1</b>	4	3.2
	SCB-M6-20-FB	No Correction	<b>3.1</b>	4	3.2
	SCB-M6-25-FB	No Correction	<b>3.1</b>	4	3.2
	SCB-M6-30-FB	No Correction	<b>3.1</b>	4	3.2
	SCB-M6-40-FB	No Correction	<b>3.1</b>	4	3.2
	SCB-M8-20-FB	<b>5.56</b>	<b>4.6</b>	5.5	4.5
	SCB-M8-30-FB	<b>5.56</b>	<b>4.6</b>	5.5	4.5
	SCB-M8-35-FB	<b>5.56</b>	<b>4.6</b>	5.5	4.5
	SCB-M8-40-FB	<b>5.56</b>	<b>4.6</b>	5.5	4.5
	SCB-M8-50-FB	<b>5.56</b>	<b>4.6</b>	5.5	4.5
	SCB-M10-25-FB	<b>7.14</b>	<b>6.1</b>	7	6
	SCB-M10-30-FB	<b>7.14</b>	<b>6.1</b>	7	6
	SCB-M10-40-FB	<b>7.14</b>	<b>6.1</b>	7	6
	SCB-M10-50-FB	<b>7.14</b>	<b>6.1</b>	7	6
	SCB-M10-60-FB	<b>7.14</b>	<b>6.1</b>	7	6
	SCB-M12-30-FB	No Correction	<b>7.3</b>	8.5	7.2
	SCB-M12-50-FB	No Correction	<b>7.3</b>	8.5	7.2
	SCB-M12-80-FB	No Correction	<b>7.3</b>	8.5	7.2
	SCB-M16-40-FB	No Correction	No Correction	12	10.7
	SCB-M16-60-FB	No Correction	No Correction	12	10.7
	SCB-M16-80-FB	No Correction	No Correction	12	10.7

## Attachment [Catalog Information Correction Details]

Series Part Number	Part Number	Revised		Previous	
		D	d (Reference Value)	D	d
SCB-GB	SCB-M4-10-GB	No Correction	<b>1.9</b>	2.5	2
	SCB-M4-12-GB	No Correction	<b>1.9</b>	2.5	2
	SCB-M4-16-GB	No Correction	<b>1.9</b>	2.5	2
	SCB-M4-20-GB	No Correction	<b>1.9</b>	2.5	2
	SCB-M4-25-GB	No Correction	<b>1.9</b>	2.5	2
	SCB-M5-12-GB	No Correction	<b>2.4</b>	3	2.5
	SCB-M5-16-GB	No Correction	<b>2.4</b>	3	2.5
	SCB-M5-20-GB	No Correction	<b>2.4</b>	3	2.5
	SCB-M5-25-GB	No Correction	<b>2.4</b>	3	2.5
	SCB-M5-30-GB	No Correction	<b>2.4</b>	3	2.5
	SCB-M6-16-GB	No Correction	<b>3.1</b>	4	3.2
	SCB-M6-20-GB	No Correction	<b>3.1</b>	4	3.2
	SCB-M6-25-GB	No Correction	<b>3.1</b>	4	3.2
	SCB-M6-30-GB	No Correction	<b>3.1</b>	4	3.2
	SCB-M6-40-GB	No Correction	<b>3.1</b>	4	3.2
	SCB-M8-20-GB	<b>5.56</b>	<b>4.6</b>	5.5	4.5
	SCB-M8-30-GB	<b>5.56</b>	<b>4.6</b>	5.5	4.5
	SCB-M8-35-GB	<b>5.56</b>	<b>4.6</b>	5.5	4.5
	SCB-M8-40-GB	<b>5.56</b>	<b>4.6</b>	5.5	4.5
	SCB-M8-50-GB	<b>5.56</b>	<b>4.6</b>	5.5	4.5
	SCB-M10-25-GB	<b>7.14</b>	<b>6.1</b>	7	6
	SCB-M10-30-GB	<b>7.14</b>	<b>6.1</b>	7	6
	SCB-M10-40-GB	<b>7.14</b>	<b>6.1</b>	7	6
	SCB-M10-50-GB	<b>7.14</b>	<b>6.1</b>	7	6
	SCB-M10-60-GB	<b>7.14</b>	<b>6.1</b>	7	6
	SCB-M12-30-GB	No Correction	<b>7.3</b>	8.5	7.2
	SCB-M12-50-GB	No Correction	<b>7.3</b>	8.5	7.2
	SCB-M12-80-GB	No Correction	<b>7.3</b>	8.5	7.2
	SCB-M16-40-GB	No Correction	No Correction	12	10.7
	SCB-M16-60-GB	No Correction	No Correction	12	10.7
	SCB-M16-80-GB	No Correction	No Correction	12	10.7

## Attachment [Catalog Information Correction Details]

Series Part Number	Part Number	Revised	Previous
		D	D
SCBS-R	SCBS-M4-10-R	No Correction	2.5
	SCBS-M4-12-R	No Correction	2.5
	SCBS-M4-16-R	No Correction	2.5
	SCBS-M4-20-R	No Correction	2.5
	SCBS-M4-25-R	No Correction	2.5
	SCBS-M5-12-R	No Correction	3
	SCBS-M5-16-R	No Correction	3
	SCBS-M5-20-R	No Correction	3
	SCBS-M5-25-R	No Correction	3
	SCBS-M5-30-R	No Correction	3
	SCBS-M6-16-R	No Correction	4
	SCBS-M6-20-R	No Correction	4
	SCBS-M6-25-R	No Correction	4
	SCBS-M6-30-R	No Correction	4
	SCBS-M6-40-R	No Correction	4
	SCBS-M8-20-R	<b>5.56</b>	5.5
	SCBS-M8-30-R	<b>5.56</b>	5.5
	SCBS-M8-35-R	<b>5.56</b>	5.5
	SCBS-M8-40-R	<b>5.56</b>	5.5
	SCBS-M8-50-R	<b>5.56</b>	5.5
	SCBS-M10-25-R	<b>7.14</b>	7
	SCBS-M10-30-R	<b>7.14</b>	7
	SCBS-M10-40-R	<b>7.14</b>	7
	SCBS-M10-50-R	<b>7.14</b>	7
	SCBS-M10-60-R	<b>7.14</b>	7
	SCBS-M12-30-R	<b>7.94</b>	8.5
	SCBS-M12-50-R	<b>7.94</b>	8.5
	SCBS-M12-80-R	<b>7.94</b>	8.5
	SCBS-M16-40-R	<b>11.91</b>	12
	SCBS-M16-60-R	<b>11.91</b>	12
SCBS-M16-80-R	<b>11.91</b>	12	

## Attachment [Catalog Information Correction Details]

Series Part Number	Part Number	Revised		Previous	
		D	d (Reference Value)	D	d
	SCBS-M4-10-F	No Correction	<b>1.9</b>	2.5	2
	SCBS-M4-12-F	No Correction	<b>1.9</b>	2.5	2
	SCBS-M4-16-F	No Correction	<b>1.9</b>	2.5	2
	SCBS-M4-20-F	No Correction	<b>1.9</b>	2.5	2
	SCBS-M4-25-F	No Correction	<b>1.9</b>	2.5	2
	SCBS-M5-12-F	No Correction	<b>2.4</b>	3	2.5
	SCBS-M5-16-F	No Correction	<b>2.4</b>	3	2.5
	SCBS-M5-20-F	No Correction	<b>2.4</b>	3	2.5
	SCBS-M5-25-F	No Correction	<b>2.4</b>	3	2.5
	SCBS-M5-30-F	No Correction	<b>2.4</b>	3	2.5
	SCBS-M6-16-F	No Correction	<b>3.1</b>	4	3.2
	SCBS-M6-20-F	No Correction	<b>3.1</b>	4	3.2
	SCBS-M6-25-F	No Correction	<b>3.1</b>	4	3.2
	SCBS-M6-30-F	No Correction	<b>3.1</b>	4	3.2
	SCBS-M6-40-F	No Correction	<b>3.1</b>	4	3.2
SCBS-F	SCBS-M8-20-F	<b>5.56</b>	<b>4.4</b>	5.5	4.5
	SCBS-M8-30-F	<b>5.56</b>	<b>4.4</b>	5.5	4.5
	SCBS-M8-35-F	<b>5.56</b>	<b>4.4</b>	5.5	4.5
	SCBS-M8-40-F	<b>5.56</b>	<b>4.4</b>	5.5	4.5
	SCBS-M8-50-F	<b>5.56</b>	<b>4.4</b>	5.5	4.5
	SCBS-M10-25-F	<b>7.14</b>	<b>5.9</b>	7	6
	SCBS-M10-30-F	<b>7.14</b>	<b>5.9</b>	7	6
	SCBS-M10-40-F	<b>7.14</b>	<b>5.9</b>	7	6
	SCBS-M10-50-F	<b>7.14</b>	<b>5.9</b>	7	6
	SCBS-M10-60-F	<b>7.14</b>	<b>5.9</b>	7	6
	SCBS-M12-30-F	<b>7.94</b>	<b>6.7</b>	8.5	7.2
	SCBS-M12-50-F	<b>7.94</b>	<b>6.7</b>	8.5	7.2
	SCBS-M12-80-F	<b>7.94</b>	<b>6.7</b>	8.5	7.2
	SCBS-M16-40-F	<b>11.91</b>	<b>10.4</b>	12	10.7
	SCBS-M16-60-F	<b>11.91</b>	<b>10.4</b>	12	10.7
	SCBS-M16-80-F	<b>11.91</b>	<b>10.4</b>	12	10.7

## Attachment [Catalog Information Correction Details]

Series Part Number	Part Number	Revised		Previous	
		D	d (Reference Value)	D	d
SCBS-FB	SCBS-M4-10-FB	No Correction	<b>1.9</b>	2.5	2
	SCBS-M4-12-FB	No Correction	<b>1.9</b>	2.5	2
	SCBS-M4-16-FB	No Correction	<b>1.9</b>	2.5	2
	SCBS-M4-20-FB	No Correction	<b>1.9</b>	2.5	2
	SCBS-M4-25-FB	No Correction	<b>1.9</b>	2.5	2
	SCBS-M5-12-FB	No Correction	<b>2.4</b>	3	2.5
	SCBS-M5-16-FB	No Correction	<b>2.4</b>	3	2.5
	SCBS-M5-20-FB	No Correction	<b>2.4</b>	3	2.5
	SCBS-M5-25-FB	No Correction	<b>2.4</b>	3	2.5
	SCBS-M5-30-FB	No Correction	<b>2.4</b>	3	2.5
	SCBS-M6-16-FB	No Correction	<b>3.1</b>	4	3.2
	SCBS-M6-20-FB	No Correction	<b>3.1</b>	4	3.2
	SCBS-M6-25-FB	No Correction	<b>3.1</b>	4	3.2
	SCBS-M6-30-FB	No Correction	<b>3.1</b>	4	3.2
	SCBS-M6-40-FB	No Correction	<b>3.1</b>	4	3.2
	SCBS-M8-20-FB	<b>5.56</b>	<b>4.6</b>	5.5	4.5
	SCBS-M8-30-FB	<b>5.56</b>	<b>4.6</b>	5.5	4.5
	SCBS-M8-35-FB	<b>5.56</b>	<b>4.6</b>	5.5	4.5
	SCBS-M8-40-FB	<b>5.56</b>	<b>4.6</b>	5.5	4.5
	SCBS-M8-50-FB	<b>5.56</b>	<b>4.6</b>	5.5	4.5
	SCBS-M10-25-FB	<b>7.14</b>	<b>6.1</b>	7	6
	SCBS-M10-30-FB	<b>7.14</b>	<b>6.1</b>	7	6
	SCBS-M10-40-FB	<b>7.14</b>	<b>6.1</b>	7	6
	SCBS-M10-50-FB	<b>7.14</b>	<b>6.1</b>	7	6
	SCBS-M10-60-FB	<b>7.14</b>	<b>6.1</b>	7	6
	SCBS-M12-30-FB	<b>7.94</b>	<b>7.3</b>	8.5	7.2
	SCBS-M12-50-FB	<b>7.94</b>	<b>7.3</b>	8.5	7.2
	SCBS-M12-80-FB	<b>7.94</b>	<b>7.3</b>	8.5	7.2
	SCBS-M16-40-FB	<b>11.91</b>	No Correction	12	10.7
	SCBS-M16-60-FB	<b>11.91</b>	No Correction	12	10.7
SCBS-M16-80-FB	<b>11.91</b>	No Correction	12	10.7	

## Attachment [Catalog Information Correction Details]

Series Part Number	Part Number	Revised		Previous	
		D	d (Reference Value)	D	d
SCBS-GB	SCBS-M4-10-GB	No Correction	<b>1.9</b>	2.5	2
	SCBS-M4-12-GB	No Correction	<b>1.9</b>	2.5	2
	SCBS-M4-16-GB	No Correction	<b>1.9</b>	2.5	2
	SCBS-M4-20-GB	No Correction	<b>1.9</b>	2.5	2
	SCBS-M4-25-GB	No Correction	<b>1.9</b>	2.5	2
	SCBS-M5-12-GB	No Correction	<b>2.4</b>	3	2.5
	SCBS-M5-16-GB	No Correction	<b>2.4</b>	3	2.5
	SCBS-M5-20-GB	No Correction	<b>2.4</b>	3	2.5
	SCBS-M5-25-GB	No Correction	<b>2.4</b>	3	2.5
	SCBS-M5-30-GB	No Correction	<b>2.4</b>	3	2.5
	SCBS-M6-16-GB	No Correction	<b>3.1</b>	4	3.2
	SCBS-M6-20-GB	No Correction	<b>3.1</b>	4	3.2
	SCBS-M6-25-GB	No Correction	<b>3.1</b>	4	3.2
	SCBS-M6-30-GB	No Correction	<b>3.1</b>	4	3.2
	SCBS-M6-40-GB	No Correction	<b>3.1</b>	4	3.2
	SCBS-M8-20-GB	<b>5.56</b>	<b>4.6</b>	5.5	4.5
	SCBS-M8-30-GB	<b>5.56</b>	<b>4.6</b>	5.5	4.5
	SCBS-M8-35-GB	<b>5.56</b>	<b>4.6</b>	5.5	4.5
	SCBS-M8-40-GB	<b>5.56</b>	<b>4.6</b>	5.5	4.5
	SCBS-M8-50-GB	<b>5.56</b>	<b>4.6</b>	5.5	4.5
	SCBS-M10-25-GB	<b>7.14</b>	<b>6.1</b>	7	6
	SCBS-M10-30-GB	<b>7.14</b>	<b>6.1</b>	7	6
	SCBS-M10-40-GB	<b>7.14</b>	<b>6.1</b>	7	6
	SCBS-M10-50-GB	<b>7.14</b>	<b>6.1</b>	7	6
	SCBS-M10-60-GB	<b>7.14</b>	<b>6.1</b>	7	6
	SCBS-M12-30-GB	<b>7.94</b>	<b>7.3</b>	8.5	7.2
	SCBS-M12-50-GB	<b>7.94</b>	<b>7.3</b>	8.5	7.2
	SCBS-M12-80-GB	<b>7.94</b>	<b>7.3</b>	8.5	7.2
	SCBS-M16-40-GB	<b>11.91</b>	No Correction	12	10.7
	SCBS-M16-60-GB	<b>11.91</b>	No Correction	12	10.7
SCBS-M16-80-GB	<b>11.91</b>	No Correction	12	10.7	

## Attachment [Catalog Information Correction Details]

Series Part Number	Part Number	Revised	Previous
		D	D
SCBS-CE	SCBS-M4-10-CE	<b>2.38</b>	2.5
	SCBS-M4-16-CE	<b>2.38</b>	2.5
	SCBS-M4-25-CE	<b>2.38</b>	2.5
	SCBS-M5-12-CE	<b>3.18</b>	3
	SCBS-M5-20-CE	<b>3.18</b>	3
	SCBS-M5-30-CE	<b>3.18</b>	3
	SCBS-M6-16-CE	<b>3.97</b>	4
	SCBS-M6-25-CE	<b>3.97</b>	4
	SCBS-M6-40-CE	<b>3.97</b>	4
	SCBS-M8-20-CE	<b>5.56</b>	5.5
	SCBS-M8-35-CE	<b>5.56</b>	5.5
	SCBS-M8-50-CE	<b>5.56</b>	5.5
	SCBS-M10-25-CE	<b>7.14</b>	7
	SCBS-M10-40-CE	<b>7.14</b>	7
	SCBS-M10-60-CE	<b>7.14</b>	7
	SCBS-M12-30-CE	<b>7.94</b>	8.5
	SCBS-M12-50-CE	<b>7.94</b>	8.5
	SCBS-M12-80-CE	<b>7.94</b>	8.5