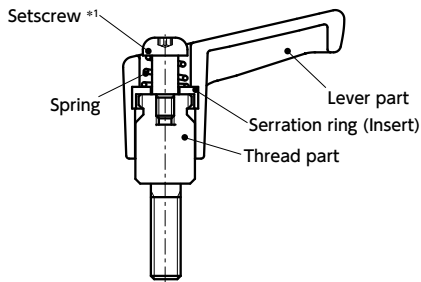
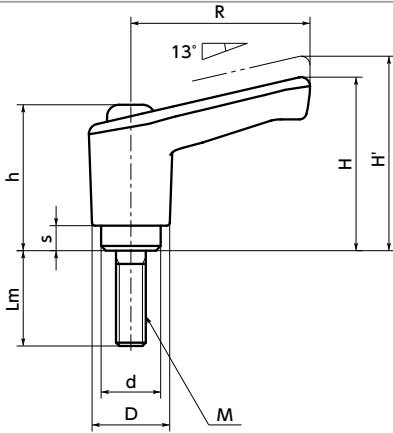


SUS Stainless steel



*1: Setscrew head shapes have been changed from hex sockets to hexalobular sockets.

Material/Finish



	LECM Made of Steel	LECMS Made of Stainless Steel
Lever Part	Nylon 6 (Various Color)	Nylon 6 (Various Color)
Thread Part	SUM22L Ferrosoferric Oxide Film (Black)	SUS303
Setscrew	Steel Ferrosoferric Oxide Film (Black)	Stainless Steel
Serration Ring	Zinc Die Cast	Zinc Die Cast
Spring	Stainless Steel Wire or SWPB	Stainless Steel Wire



- The product development was conducted with LCA, Life Cycle Assessment, in consideration for environmental load, especially for global warming.
- Greenhouse effect gas emission is reduced by 6.5 % compared to conventional products.
- A serration ring made of zinc die cast is inserted into the lever body made of plastic. They also realize sufficient strength for fitting with metal thread serration.
- Female screw type **LECF** **LECFS** with the same shape is available. → P.xxxx
- There are five color variations. They can be selected by the end symbol of the part number.

End Symbol	Lever Part Color
BK	Matte black
SG	Matte Silver
OR	Matte orange
YW	Matte yellow
SK	Matte Transparent

Part number specification

LECMS-3-16-SK



For **2** screw length Lm, select from the sizes marked with ● in the table.

Dimensions

Unit : mm

Part Number Screw : Steel	Part Number Screw : Stainless steel	M (Coarse)		R	H	H'	h	s	D	d	Number of Teeth	Max. load*1 (N)	Max. clamping*1 force (kN)	Mass (g)
		Nominal of Thread	Pitch											
LECM-3	LECMS-3	M3	0.5	30	29	32.5	24.5	4.2	13	10	18	13	0.95	14 - 15
LECM-4	LECMS-4	M4	0.7	30	29	32.5	24.5	4.2	13	10	18	31	1.7	15 - 16
LECM-5	LECMS-5	M5	0.8	30	29	32.5	24.5	4.2	13	10	18	62	2.7	16 - 20
LECM-6	LECMS-6	M6	1	30	29	32.5	24.5	4.2	13	10	18	110	3.8	16 - 22

*1: About the definition of max. load / max. clamping force → P.xxxx

LECM Thread part : made of steel **LECMS** Thread part : made of stainless steel

Part Number	Lm (mm)									
	6	8	10	12	16	20	25	32	40	50
LECM-3	●	●	●	●	●					
LECM-4			●	●	●	●	●	●		
LECM-5				●	●	●	●	●	●	●
LECM-6					●	●	●	●	●	●
LECMS-3	●	●	●	●	●					
LECMS-4			●	●	●	●	●	●		
LECMS-5				●	●	●	●	●	●	●
LECMS-6					●	●	●	●	●	●

Cleanroom Wash & Packaging → P.xxxx	Screw Combination → P.xxxx	Screw Length Adjustment → P.xxxx	Vibration Resistant → P.xxxx	Laser Marking → P.xxxx
Please feel free to contact us	Not Available	Available / Add'l charge	Not Available	Available / Add'l charge