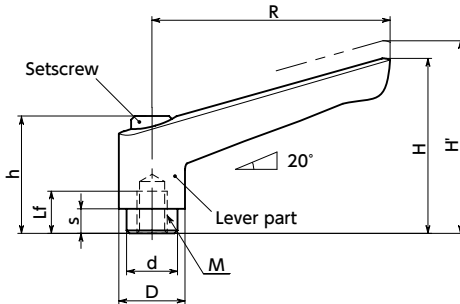
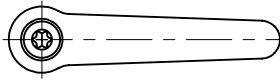


# LEF / LEFE / LEFS Plastic Clamp Levers, Female Screw



**SUS** Stainless steel



## ● Part Number Specification

**LEFE-12-OR**



**LEF-SG**



**LEFS-OR**



**LEFE-BK**



- The zinc die cast serration ring is inserted into the plastic lever main unit. It achieves sufficient fitting strength with the metal screw serrations.
- A wide variety of screw sizes from M3 to M12.
- The thread part is available in three materials.
  - LEF** — Steel/ferrosferic oxide film (black)
  - LEFE** — Steel/electroless nickel plating
  - LEFS** — Stainless steel
- **LEFE** has a steel thread part with electroless nickel plating for increased corrosion resistance.
- The lever is available in 3 color variations. They can be selected by the end symbol of the part number.

End Symbol	Lever Part Color
<b>BK</b>	Matte Black
<b>SG</b>	Matte Silver
<b>OR</b>	Matte Orange

## ● Material/Finish



	<b>LEF</b>	<b>LEFE</b>	<b>LEFS</b>
Lever Part	Nylon 6 (Various Colors)	Nylon 6 (Various Colors)	Nylon 6 (Various Colors)
Thread Part	SUM22L Ferrosferic Oxide Film (Black)	SUM22L Electroless Nickel Plating	SUS303
Setscrew	Steel Ferrosferic Oxide Film (Black)	Steel Electroless Nickel Plating	Stainless Steel
Serration Ring (Insert)	Zinc Die Cast	Zinc Die Cast	Zinc Die Cast
Spring	Stainless Steel Wire or SWPB	Stainless Steel Wire	Stainless Steel Wire

**LEF** Thread part: Steel / Ferrosferic Oxide Film **LEFE** Thread Part: Steel / Electroless Nickel Plating **LEFS** Thread Part: Stainless Steel

Unit : mm

Part Number	Lf min.	Part Number	Lf min.	Part Number	Lf min.	M (Coarse)		R	H	H'	h	s	D	d	Tooth No.	Max. Load *1 (N)	Max. Clamping Force *1 (kN)	Mass (g)
						Nominal of Thread	Pitch											
<b>LEF-3</b>	7			<b>LEFS-3</b>	7	M3	0.5	45	35.5	39	24.5	4.2	13	10	18	9	0.95	14
<b>LEF-4</b>	9	<b>LEFE-4</b>	9	<b>LEFS-4</b>	8	M4	0.7	45	35.5	39	24.5	4.2	13	10	18	21	1.7	14
<b>LEF-5</b>	9	<b>LEFE-5</b>	9	<b>LEFS-5</b>	8	M5	0.8	45	35.5	39	24.5	4.2	13	10	18	42	2.7	13
<b>LEF-6</b>	9	<b>LEFE-6</b>	9	<b>LEFS-6</b>	8	M6	1	45	35.5	39	24.5	4.2	13	10	18	70	3.8	12
<b>LEF-6B</b>	11			<b>LEFS-6B</b>	11	M6	1	63	46.3	50.3	31	6.5	17.5	13.5	24	50	3.8	32
<b>LEF-8</b>	11	<b>LEFE-8</b>	11	<b>LEFS-8</b>	11	M8	1.25	63	46.3	50.3	31	6.5	17.5	13.5	24	120	7	30
<b>LEF-8B</b>	14			<b>LEFS-8B</b>	14	M8	1.25	78	55.4	59.4	36	8	21	16	26	100	7	52
<b>LEF-10</b>	14	<b>LEFE-10</b>	14	<b>LEFS-10</b>	14	M10	1.5	78	55.4	59.4	36	8	21	16	26	200	11	48
<b>LEF-10B</b>	17			<b>LEFS-10B</b>	17	M10	1.5	92	66	70	43	11	25	19	28	170	11	60
<b>LEF-12A</b>	14			<b>LEFS-12A</b>	14	M12	1.75	78	55.4	59.4	36	8	21	16	26	350	16	66
<b>LEF-12</b>	17	<b>LEFE-12</b>	17	<b>LEFS-12</b>	17	M12	1.75	92	66	70	43	11	25	19	28	290	16	78

\*1 : For the definitions of maximum load and maximum clamping force, see "Using the Clamp Lever / Tension Lever."

Cleanroom Wash & Packaging	Screw Combination	Screw Length Adjustment	Vibration Resistant	Laser Marking
Please feel free to contact us	Available / Add'l charge	Not Available	Not Available	Available / Add'l charge