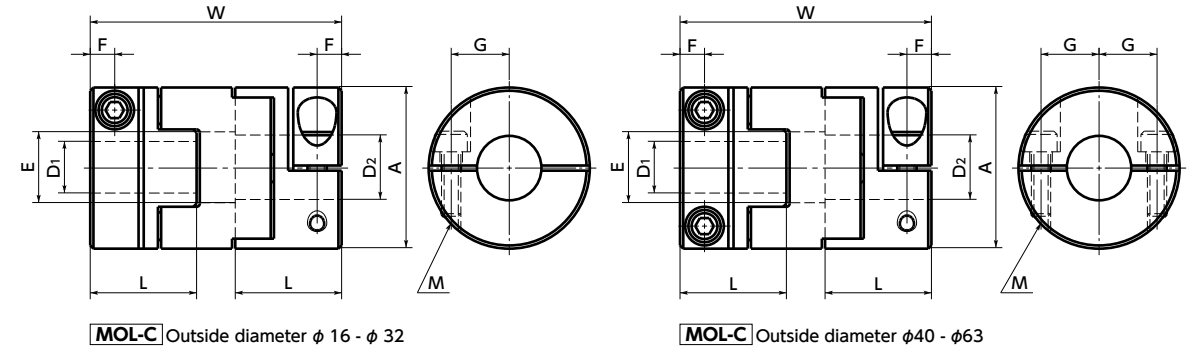
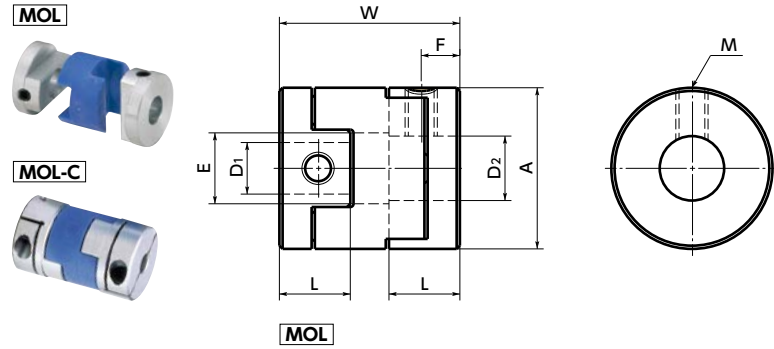


# MOL/MOL-C Flexible Couplings - Oldham Type - Set Screw Type / Clamping Type

⚡ Electrical Insulation    ⚙️ High Allowable Misalignment    ⚙️ Small Eccentric Reaction Force



## Dimensions

Unit : mm

| Part Number | A  | L    | W    | E    | F    | G   | M    | Screw Tightening Torque (N·m) |
|-------------|----|------|------|------|------|-----|------|-------------------------------|
| MOL-16      | 16 | 7    | 18   | 7    | 3.5  |     | M3   | 0.7                           |
| MOL-20      | 20 | 9    | 23   | 9    | 4.5  |     | M4   | 1.7                           |
| MOL-25      | 25 | 11   | 28.2 | 11   | 5.5  |     | M5   | 4                             |
| MOL-32      | 32 | 12.7 | 32.7 | 14.5 | 6.5  |     | M6   | 7                             |
| MOL-40      | 40 | 14   | 32   | 17   | 7    |     | M6   | 7                             |
| MOL-50      | 50 | 17   | 38.2 | 23   | 8.5  |     | M8   | 15                            |
| MOL-63      | 63 | 21   | 46.6 | 28   | 10.5 |     | M10  | 30                            |
| MOL-16C     | 16 | 12.5 | 29   | 7    | 3    | 5   | M2.5 | 1                             |
| MOL-20C     | 20 | 14.4 | 33.8 | 9    | 3    | 6.5 | M2.5 | 1                             |
| MOL-25C     | 25 | 16.5 | 39.2 | 11   | 3.8  | 9   | M3   | 1.5                           |
| MOL-32C     | 32 | 18.7 | 44.7 | 14.5 | 4.5  | 11  | M4   | 2.5                           |
| MOL-40C     | 40 | 23   | 50   | 17   | 7    | 13  | M5   | 4                             |
| MOL-50C     | 50 | 27   | 58.2 | 23   | 8    | 16  | M6   | 8                             |
| MOL-63C     | 63 | 33   | 70.6 | 28   | 10   | 21  | M8   | 16                            |

| Part Number | Standard Bore Diameter D1/D2 |   |   |   |      |   |       |    |    |    |    |    |    |    |    |    |
|-------------|------------------------------|---|---|---|------|---|-------|----|----|----|----|----|----|----|----|----|
|             | 3                            | 4 | 5 | 6 | 6.35 | 8 | 9.525 | 10 | 11 | 12 | 14 | 15 | 16 | 18 | 20 | 25 |
| MOL-16      | ●                            | ● | ● | ● | ●    |   |       |    |    |    |    |    |    |    |    |    |
| MOL-20      |                              | ● | ● | ● | ●    | ● |       |    |    |    |    |    |    |    |    |    |
| MOL-25      |                              |   | ● | ● | ●    | ● | ●     |    |    |    |    |    |    |    |    |    |
| MOL-32      |                              |   |   | ● | ●    | ● | ●     | ●  |    |    |    |    |    |    |    |    |
| MOL-40      |                              |   |   |   | ●    | ● | ●     | ●  | ●  |    |    |    |    |    |    |    |
| MOL-50      |                              |   |   |   |      | ● | ●     | ●  | ●  | ●  |    |    |    |    |    |    |
| MOL-63      |                              |   |   |   |      |   | ●     | ●  | ●  | ●  | ●  |    |    |    |    |    |
| MOL-16C     |                              |   | ● | ● | ●    |   |       |    |    |    |    |    |    |    |    |    |
| MOL-20C     |                              |   |   | ● | ●    | ● |       |    |    |    |    |    |    |    |    |    |
| MOL-25C     |                              |   |   |   | ●    | ● | ●     |    |    |    |    |    |    |    |    |    |
| MOL-32C     |                              |   |   |   | ●    | ● | ●     | ●  |    |    |    |    |    |    |    |    |
| MOL-40C     |                              |   |   |   |      | ● | ●     | ●  | ●  | ●  |    |    |    |    |    |    |
| MOL-50C     |                              |   |   |   |      |   | ●     | ●  | ●  | ●  | ●  |    |    |    |    |    |
| MOL-63C     |                              |   |   |   |      |   |       | ●  | ●  | ●  | ●  | ●  |    |    |    |    |

- All products are provided with hex socket set screw [MOL] or hex socket head cap screw [MOL-C].
- Tolerance of shaft bore on set screw type [MOL] is H8.
- Recommended tolerance for shaft diameters is h6 and h7.
- A set of hubs with set screw type for one side and clamping type for the other side is available upon request.
- For the shaft insertion amount to the coupling, see Mounting/maintenance.

➡ Additional Keyway at Shaft Hole → P.xxxx    ➡ Cleanroom Wash & Packaging → P.xxxx    ➡ Change to Stainless Steel Screw → P.xxxx  
 Available / Add'l charge    Please feel free to contact us    Available / Add'l charge

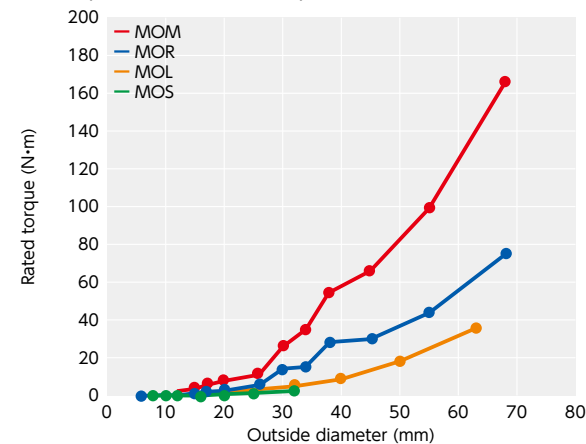
## Performance

| Part Number | Max. Bore Diameter (mm) | Rated Torque *1 (N·m) | Maximum Torque *1 (N·m) | Max. Rotational Frequency (min <sup>-1</sup> ) | Moment of Inertia (kg·m <sup>2</sup> ) | Static Torsional Stiffness (N·m/rad) | Max. Lateral Misalignment (mm) | Max. Angular Misalignment (°) | Mass *2 (g) |
|-------------|-------------------------|-----------------------|-------------------------|--|--|--------------------------------------|--------------------------------|-------------------------------|-------------|
| MOL-16      | 6.35                    | 0.7                   | 1.4                     | 39000  | 3.2×10 <sup>-7</sup>                   | 31                                   | 1                              | 3                             | 7           |
| MOL-20      | 8                       | 1.2                   | 2.4                     | 31000  | 1.0×10 <sup>-6</sup>                   | 60                                   | 1.5                            | 3                             | 14          |
| MOL-25      | 10                      | 2                     | 4                       | 25000  | 3.0×10 <sup>-6</sup>                   | 140                                  | 2                              | 3                             | 27          |
| MOL-32      | 14                      | 4.5                   | 9                       | 19000  | 9.5×10 <sup>-6</sup>                   | 280                                  | 2.5                            | 3                             | 50          |
| MOL-40      | 16                      | 9                     | 18                      | 15000  | 2.3×10 <sup>-5</sup>                   | 540                                  | 3                              | 3                             | 80          |
| MOL-50      | 20                      | 18                    | 36                      | 12000  | 6.7×10 <sup>-5</sup>                   | 820                                  | 3.5                            | 3                             | 150         |
| MOL-63      | 25                      | 36                    | 72                      | 10000  | 2.2×10 <sup>-4</sup>                   | 1900                                 | 4                              | 3                             | 300         |
| MOL-16C     | 6                       | 0.7                   | 1.4                     | 39000  | 5.8×10 <sup>-7</sup>                   | 31                                   | 1                              | 3                             | 12          |
| MOL-20C     | 8                       | 1.2                   | 2.4                     | 31000  | 1.5×10 <sup>-6</sup>                   | 60                                   | 1.5                            | 3                             | 19          |
| MOL-25C     | 10                      | 2                     | 4                       | 25000  | 4.4×10 <sup>-6</sup>                   | 140                                  | 2                              | 3                             | 36          |
| MOL-32C     | 14                      | 4.5                   | 9                       | 19000  | 1.4×10 <sup>-5</sup>                   | 280                                  | 2.5                            | 3                             | 69          |
| MOL-40C     | 16                      | 9                     | 18                      | 15000  | 4.1×10 <sup>-5</sup>                   | 540                                  | 3                              | 3                             | 130         |
| MOL-50C     | 20                      | 18                    | 36                      | 12000  | 1.2×10 <sup>-4</sup>                   | 820                                  | 3.5                            | 3                             | 230         |
| MOL-63C     | 25                      | 36                    | 72                      | 10000  | 3.7×10 <sup>-4</sup>                   | 1900                                 | 4                              | 3                             | 450         |

\*1 : Values with no load fluctuation and rotation in a single direction. If there is large load fluctuation, or both normal and reverse rotation, select a size with some margin. If ambient temperature exceeds 30°C, be sure to correct the rated torque and max. torque with temperature correction factor shown in the following table. The allowable operating temperature of [MOL] and [MOL-C] is -20°C to 80°C.

\*2 : These are values with max. bore diameter.

### • Comparison of rated torque



### • Ambient Temperature / Temperature Correction Factor

| Ambient Temperature | Temperature Correction Factor |
|---------------------|-------------------------------|
| -20°C to 30°C       | 1.00                          |
| 30°C to 40°C        | 0.80                          |
| 40°C to 60°C        | 0.70                          |
| 60°C to 80°C        | 0.55                          |

### • Part number specification

**MOL-40C-14-15** [1 Set]

➡ ➡

**MOL-40 - SPCR** [Single Spacer]

Product Code    Outside Diameter (Dimension A)    Single Spacer

### ⚠️ Precautions for Use

- In case of mounting on D-cut shaft, be careful about the position of the D-cut surface of the shaft. → P.xxxx
- There are sizes where the hex socket head bolt exceeds the outer diameter of the coupling and the rotating diameter is larger than the outer diameter. Please be careful of the interference of coupling. → P.xxxx